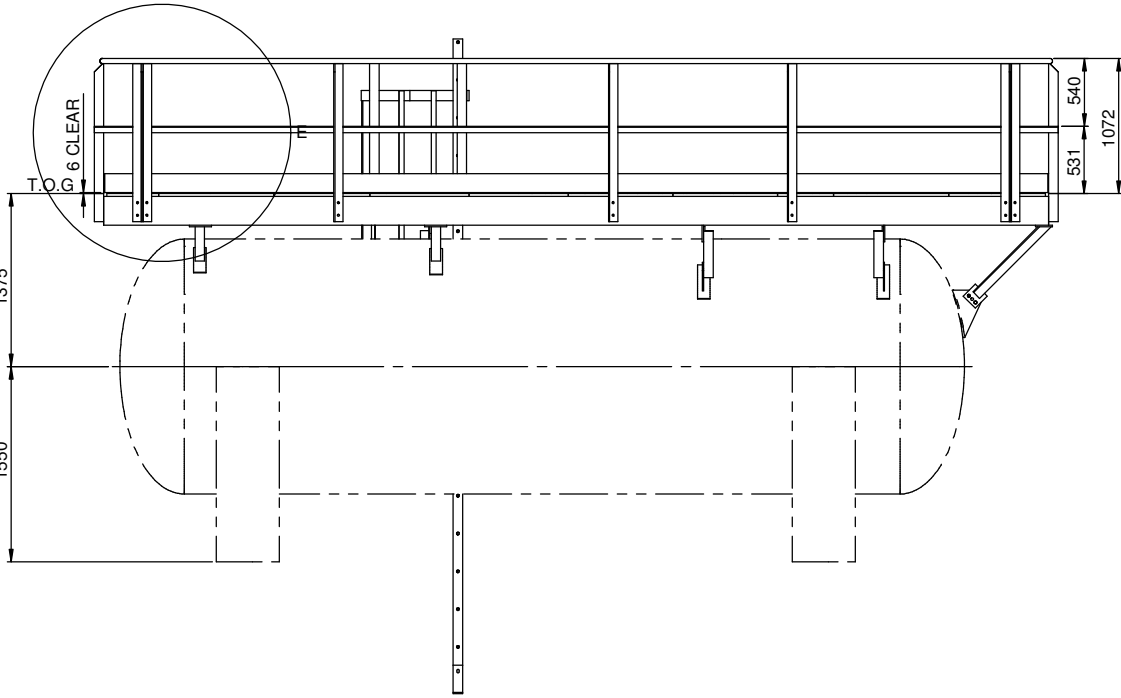
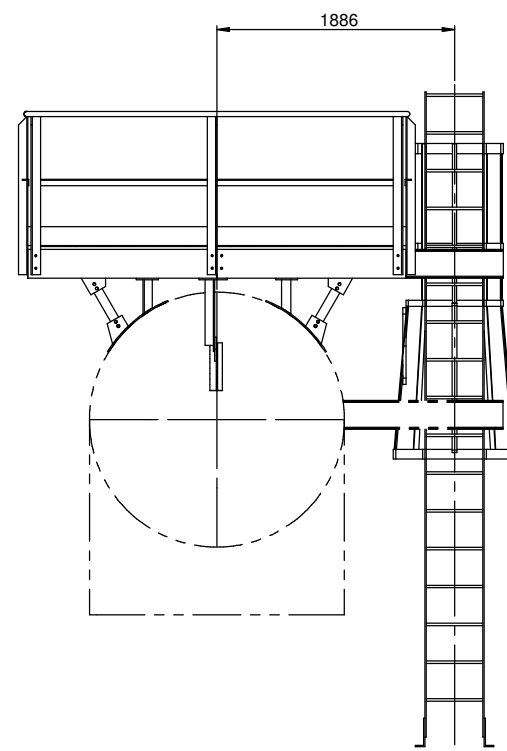


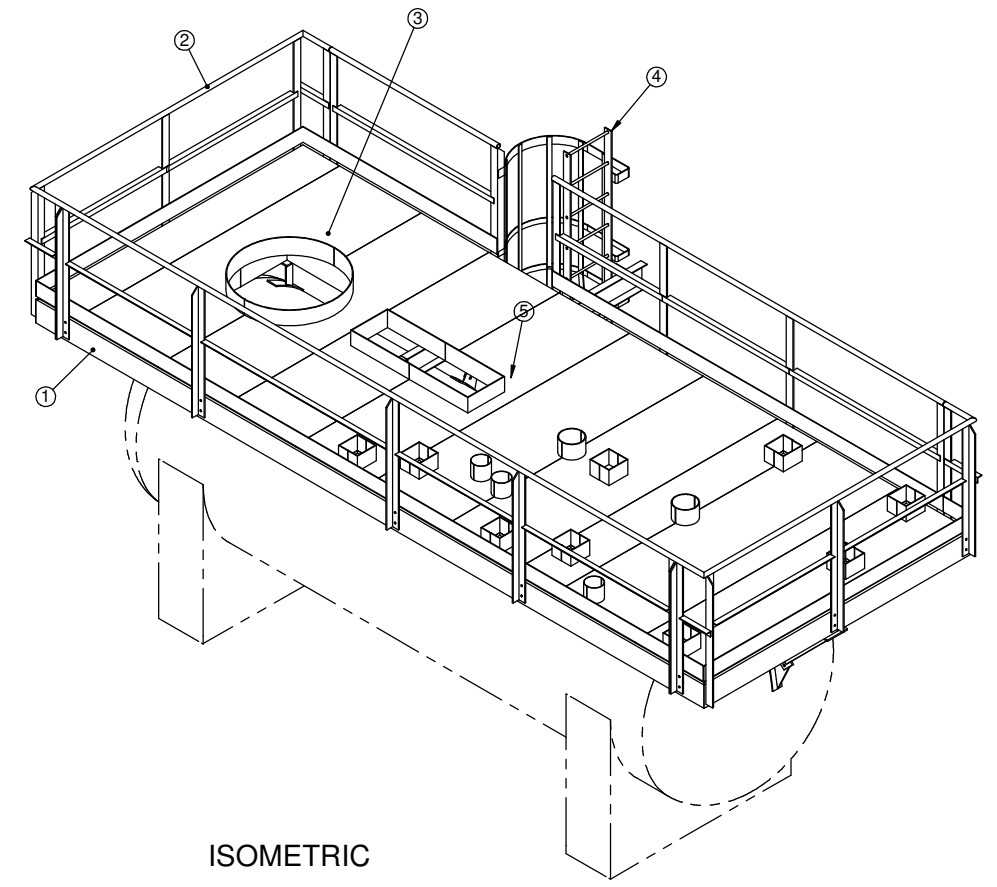
PLAN



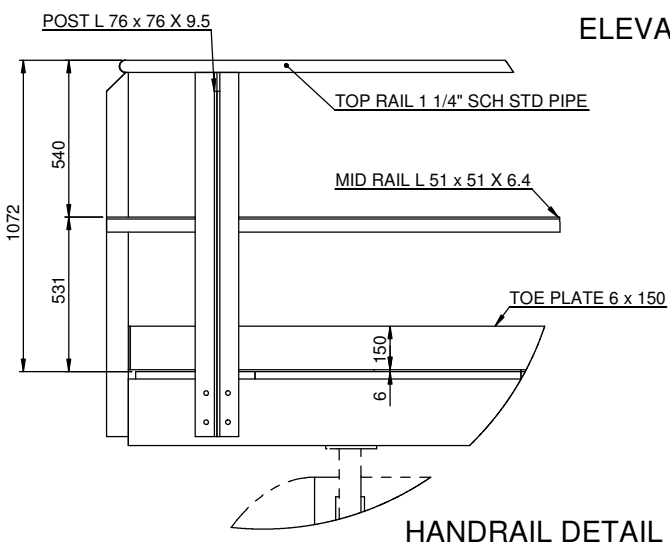
ELEVATION



SIDE VIEW



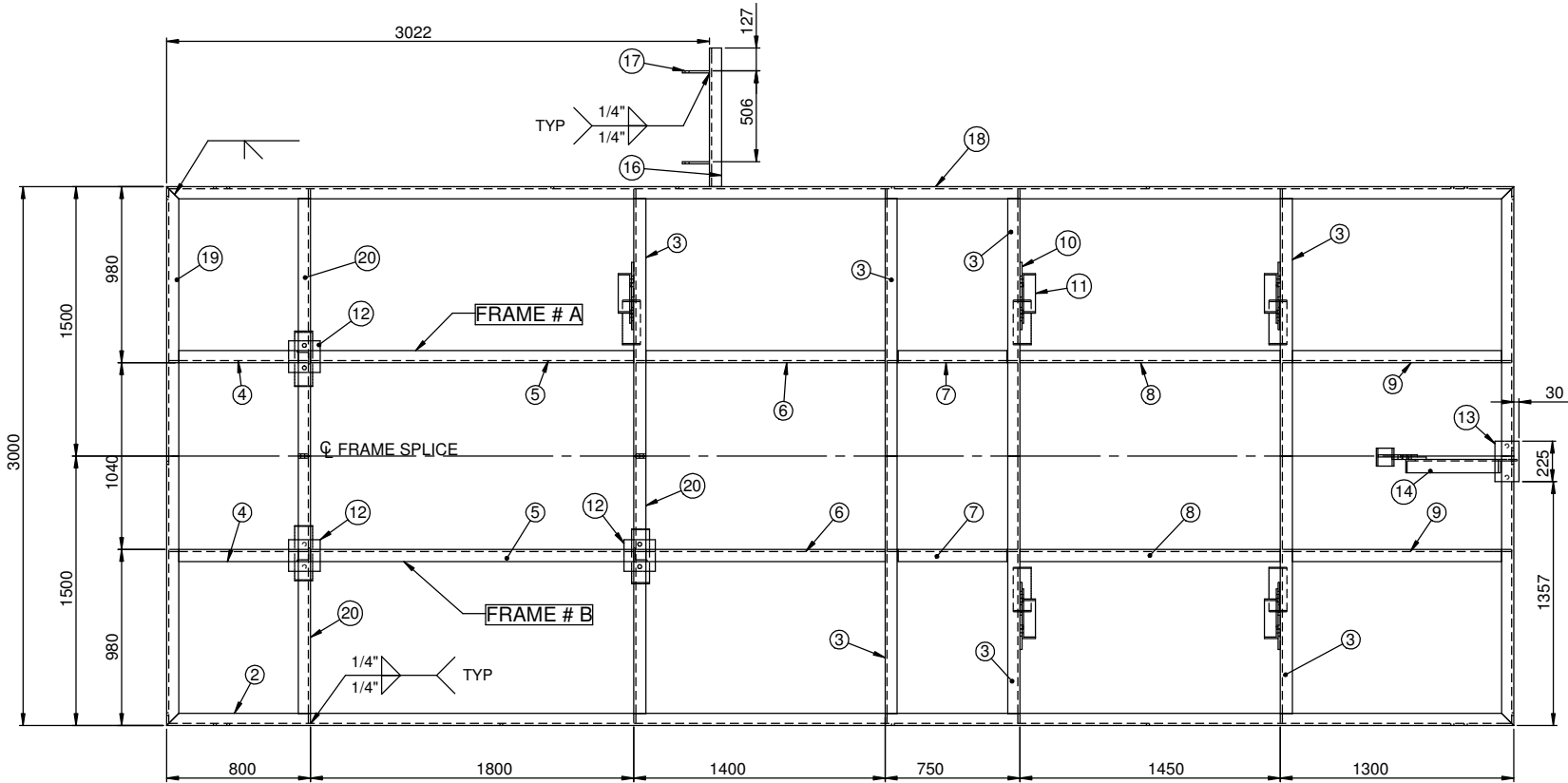
ISOMETRIC



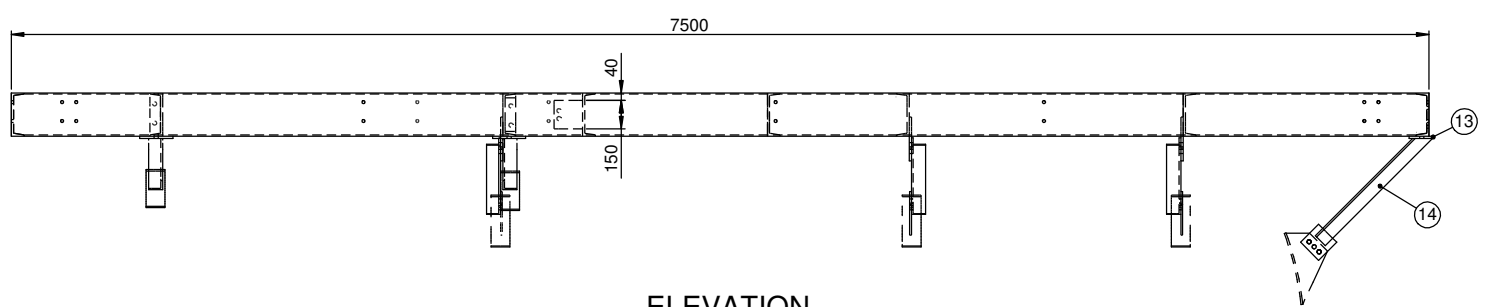
HANDRAIL DETAIL

BOM Table			
ITEM NO.	PART NUMBER	DESCRIPTION	QTY.
1	FRAME-007-00	FRAME ASSEMBLY	1
2	HANDRAIL-007-00	HANDRAIL ASSEMBLY	1
3	GRATING-007-00	GRATING ASSEMBLY	1
4	LADDER-01-007-00	LADDER ASSEMBLY	1
5	SG1	INTREPID IND. DG-37R DOUBLE BAR	1
6	EB-1	3/4" DIA x 2" Lg. HEX BOLT	31
7	EB-2	3/4" DIA HEX NUT	31
8	EB-3	5/8" DIA x 2" Lg. HEX BOLT	48
9	EB-4	5/8" DIA HEX NUT	48

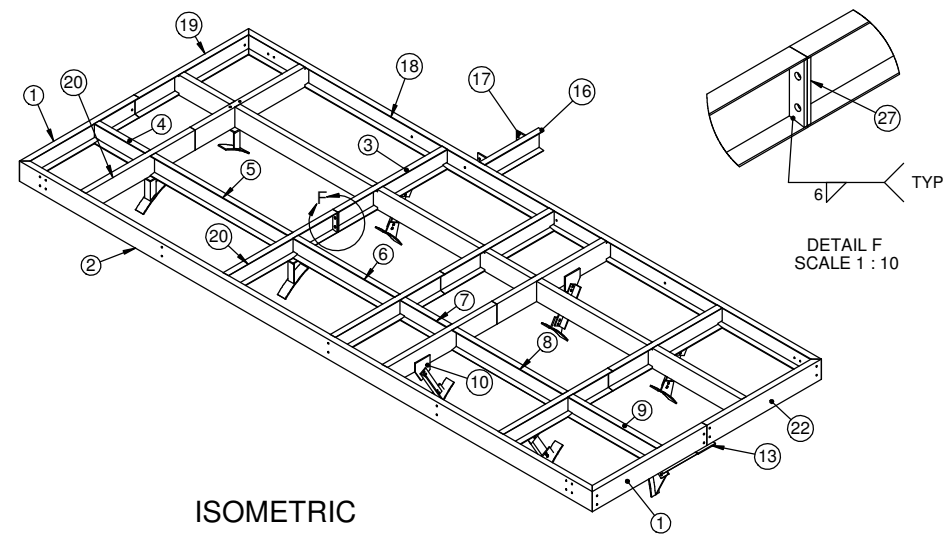
NOTE:-  
1). BOLT/NUT MATERIAL:- A325 TYPE 1



PLAN



ELEVATION

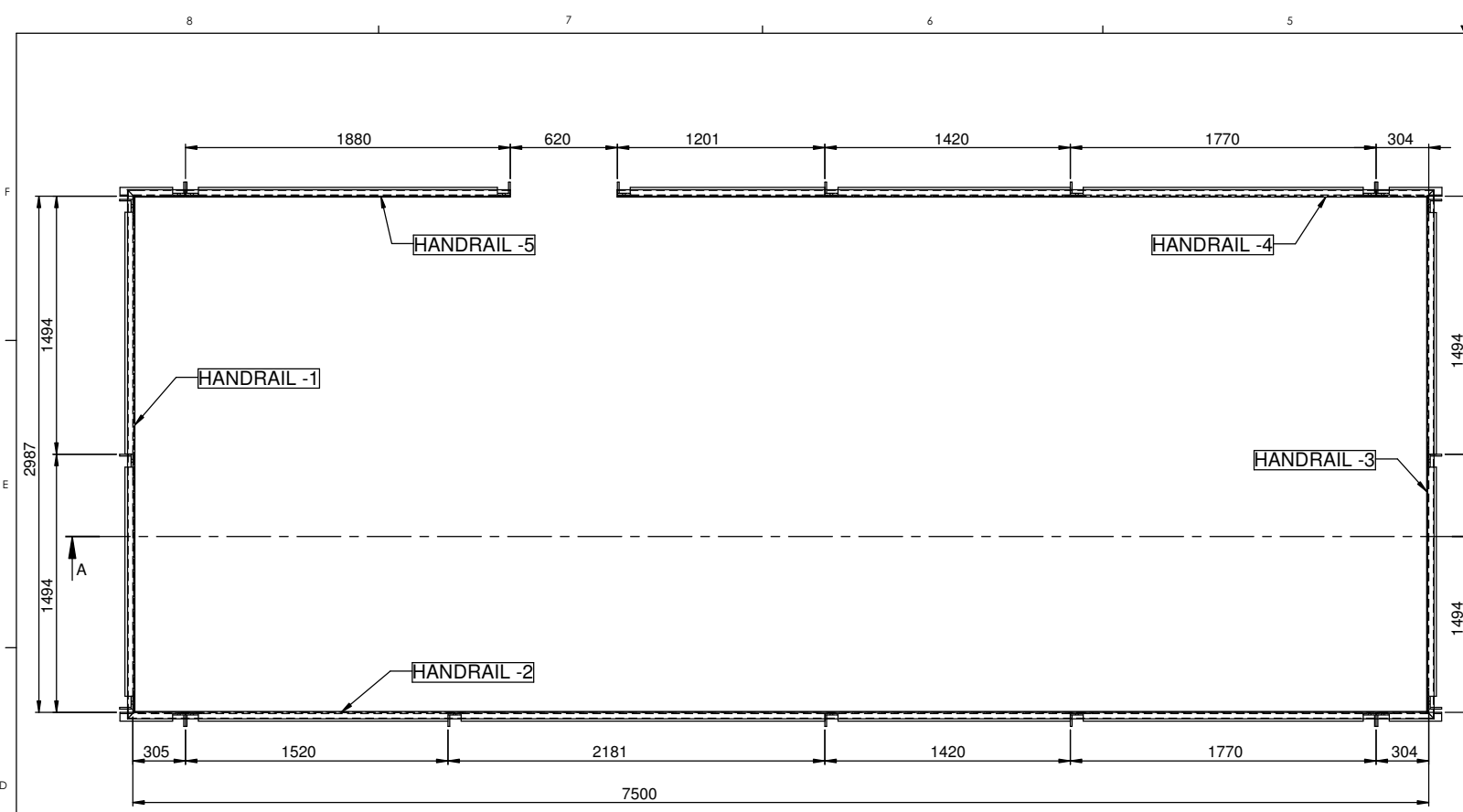


ISOMETRIC

ITEM NO.	PART NUMBER	DESCRIPTION	QTY.
1	FRAME-007-001	CHANNEL C230x 22	4
2	FRAME-007-002	CHANNEL C230x 22	2
3	FRAME-007-003	CHANNEL C230x 22	10
4	FRAME-007-004	CHANNEL C230x 22	2
5	FRAME-007-005	CHANNEL C230x 22	2
6	FRAME-007-006	CHANNEL C230x 22	2
7	FRAME-007-007	CHANNEL C230x 22	2
8	FRAME-007-008	CHANNEL C230x 22	2
9	FRAME-007-009	CHANNEL C230x 22	2
10	FRAME-007-010	12 MM THK. PLATE	5
11	FRAME-007-011	L75 x 75 x 9.5	5
12	FRAME-007-012	12mm THK. PLATE	3
13	FRAME-007-013	12mm THK. PLATE	1
14	FRAME-007-014	L75 x 75 x 9.5	1
15	FRAME-007-015	12mm THK. PLATE	1
16	FRAME-007-017	CHANNEL C230x 30	1
17	FRAME-007-022	12mm THK. PLATE	2
18	FRAME-007-023	CHANNEL C230x 30	1
19	FRAME-007-024	CHANNEL C230x 30	2
20	FRAME-007-025	CHANNEL C230x 30	3
27	FRAME-007-026	12mm THK. PLATE	4

MATERIAL:- 300W (ANGLE & CHANNEL)  
: 350W (PLATE)

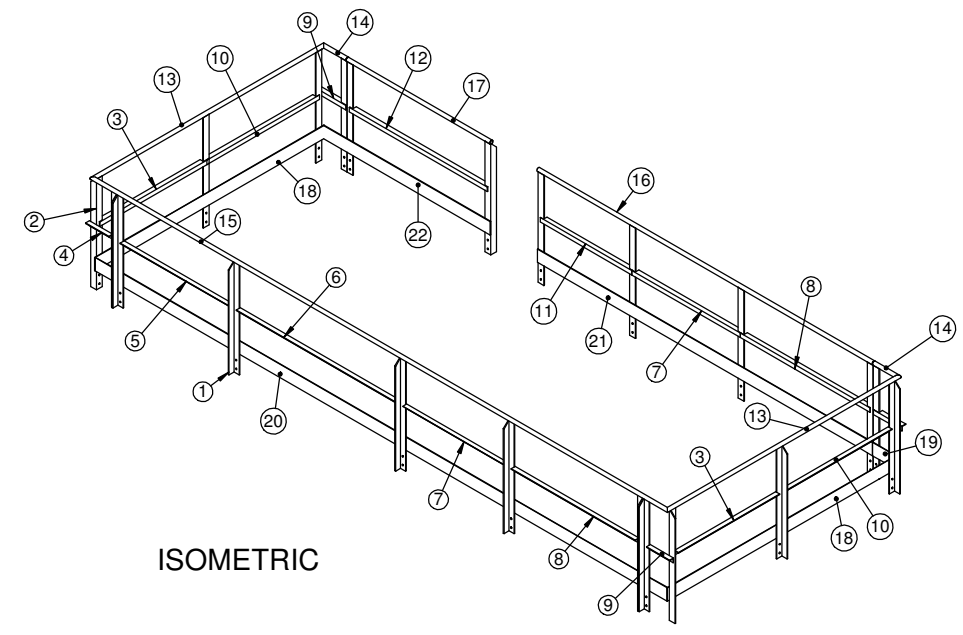
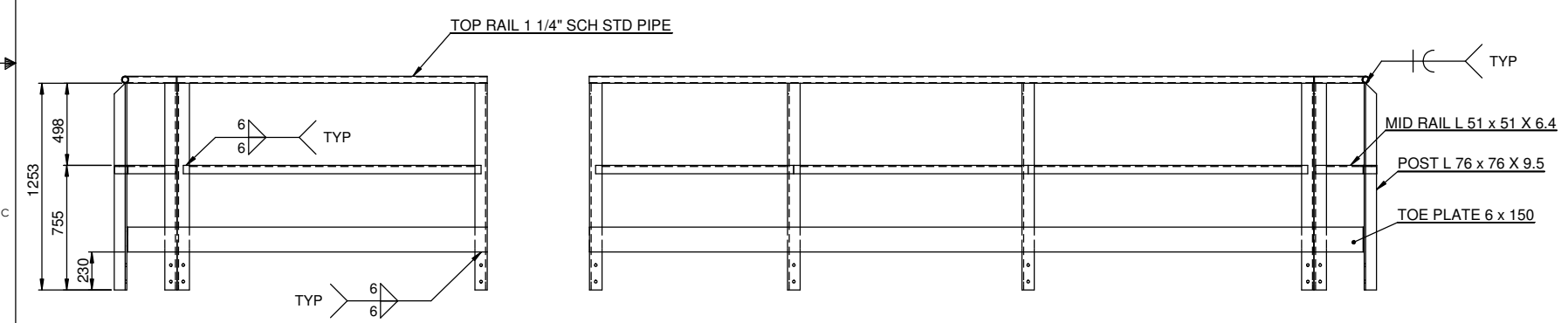
TOTAL APPROX. WEIGHT:- 4000 Lb

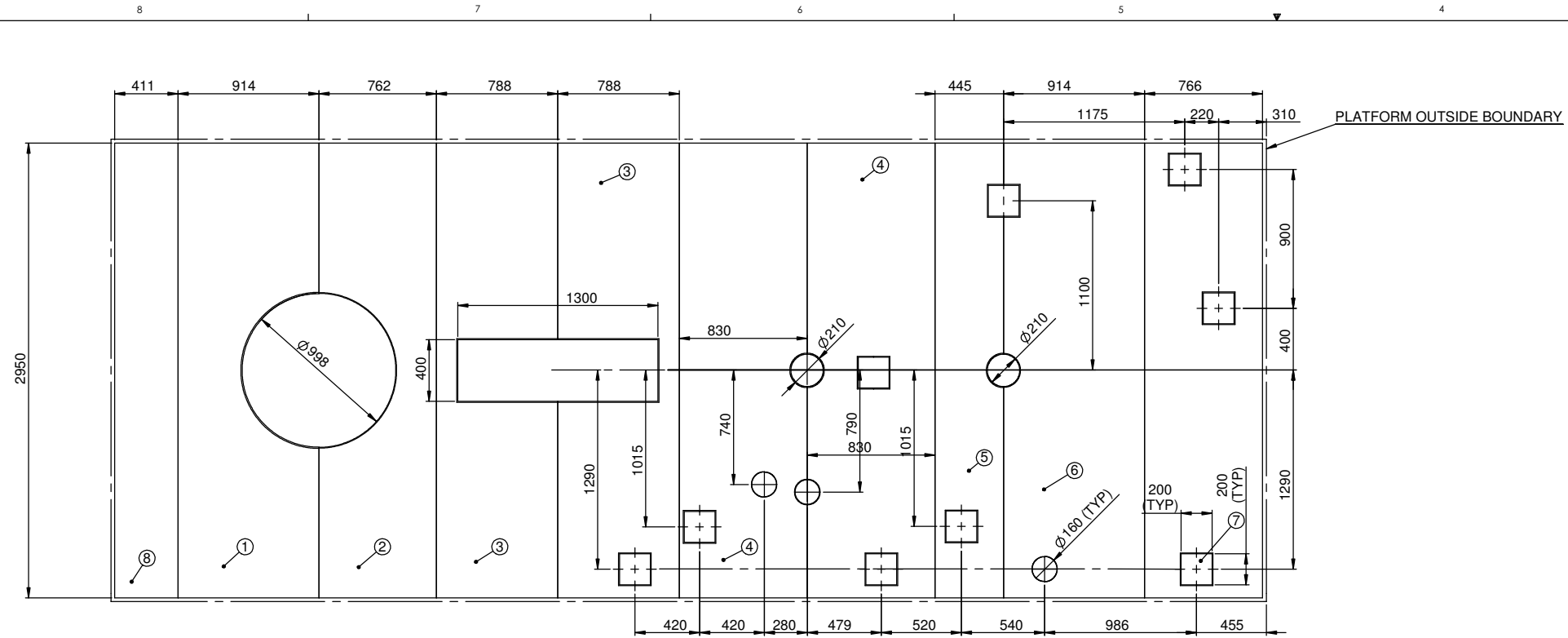


ITEM NO.	PART NUMBER	DESCRIPTION	QTY.
1	HANDRAIL-007-001	POST L75 x 75 x 9.5	14
2	HANDRAIL-007-002	POST L75 x 75 x 9.5	7
3	HANDRAIL-007-003	MID RAIL L51 x 51 x 6.4	2
4	HANDRAIL-007-004	MID RAIL L51 x 51 x 6.4	2
5	HANDRAIL-007-005	MID RAIL L51 x 51 x 6.4	1
6	HANDRAIL-007-006	MID RAIL L51 x 51 x 6.4	1
7	HANDRAIL-007-007	MID RAIL L51 x 51 x 6.4	2
8	HANDRAIL-007-008	MID RAIL L51 x 51 x 6.4	2
9	HANDRAIL-007-009	MID RAIL L51 x 51 x 6.4	2
10	HANDRAIL-007-010	MID RAIL L51 x 51 x 6.4	2
11	HANDRAIL-007-011	MID RAIL L51 x 51 x 6.4	1
12	HANDRAIL-007-012	MID RAIL L51 x 51 x 6.4	1
13	HANDRAIL-007-013	TOP RAIL 1 1/4" SCH STD PIPE	2
14	HANDRAIL-007-014	TOP RAIL 1 1/4" SCH STD PIPE	2
15	HANDRAIL-007-015	TOP RAIL 1 1/4" SCH STD PIPE	1
16	HANDRAIL-007-016	TOP RAIL 1 1/4" SCH STD PIPE	1
17	HANDRAIL-007-017	TOP RAIL 1 1/4" SCH STD PIPE	1
18	HANDRAIL-007-018	TOE PLATE 6 x 150	2
19	HANDRAIL-007-019	TOE PLATE 6 x 150	3
20	HANDRAIL-007-020	TOE PLATE 6 x 150	1
21	HANDRAIL-007-021	TOE PLATE 6 x 150	1
22	HANDRAIL-007-022	TOE PLATE 6 x 150	1

MATERIAL:- 300W (ANGLE & CHANNEL)  
 :- 350W (PLATE)  
 :- A53-B (PIPE)

TOTAL APPROX. WEIGHT:- 1200Lb

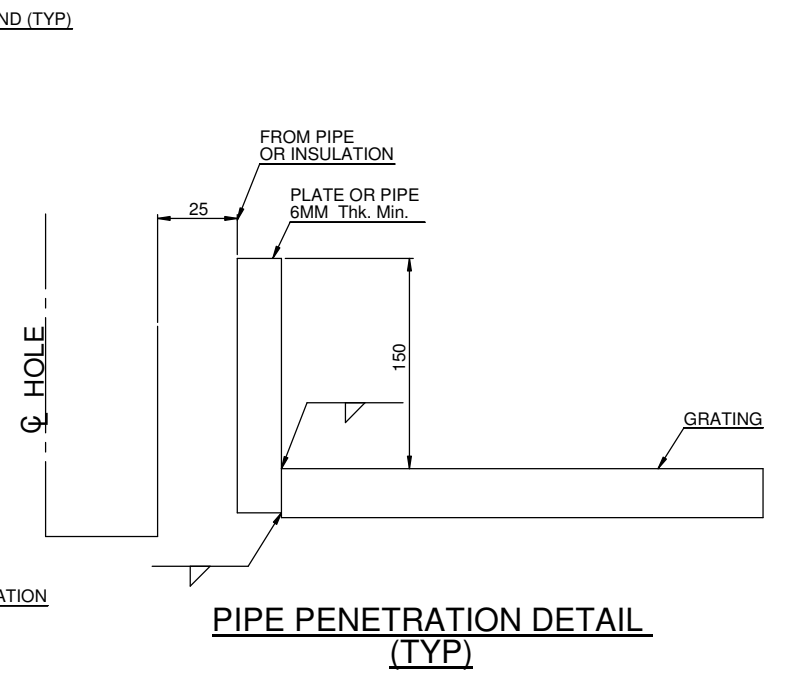
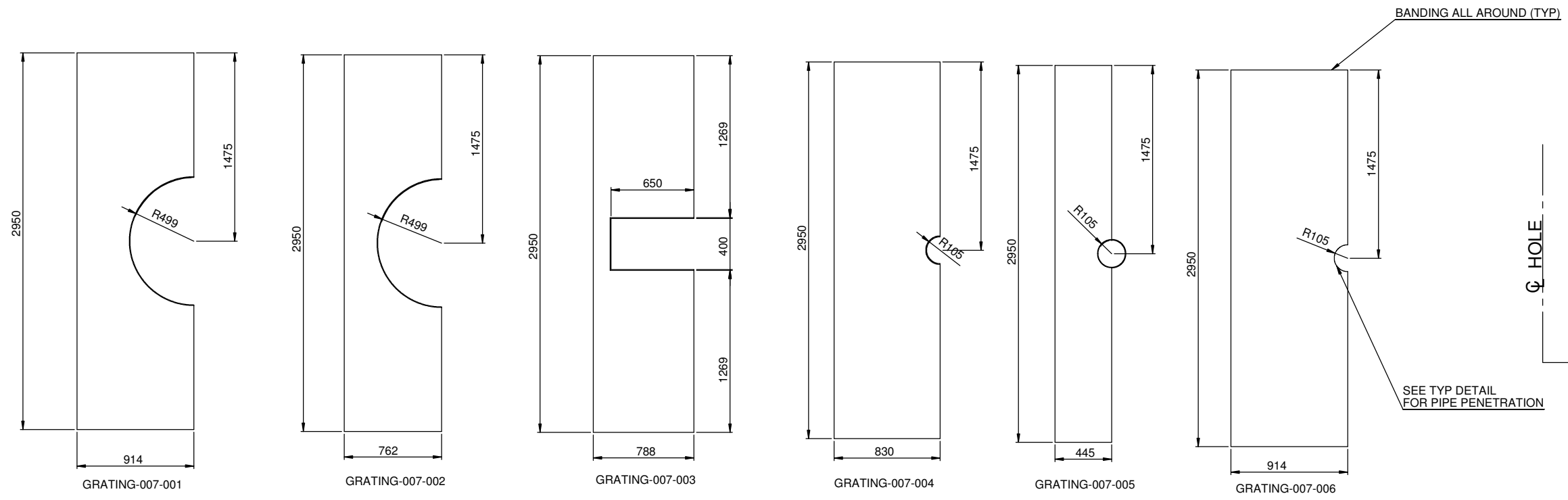




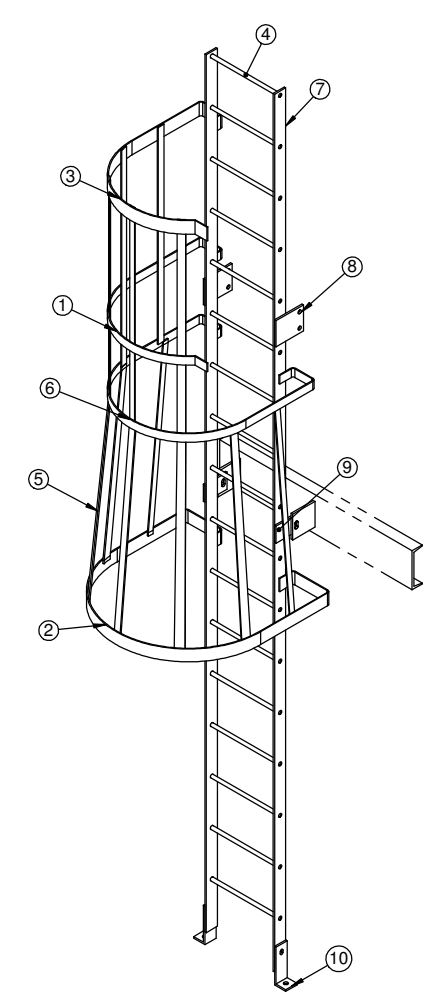
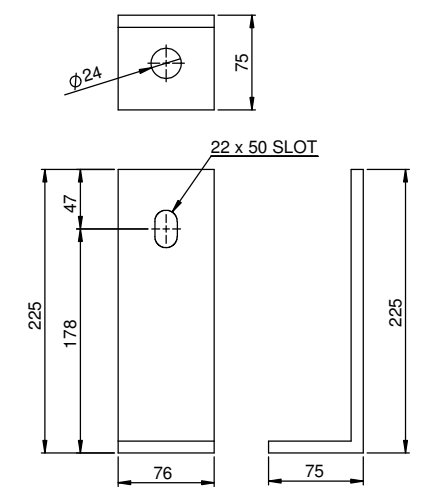
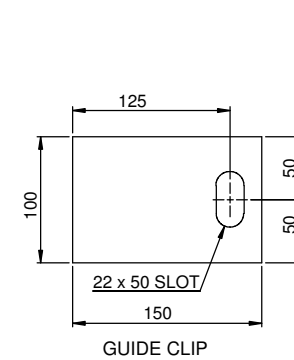
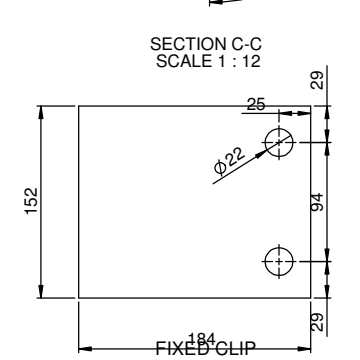
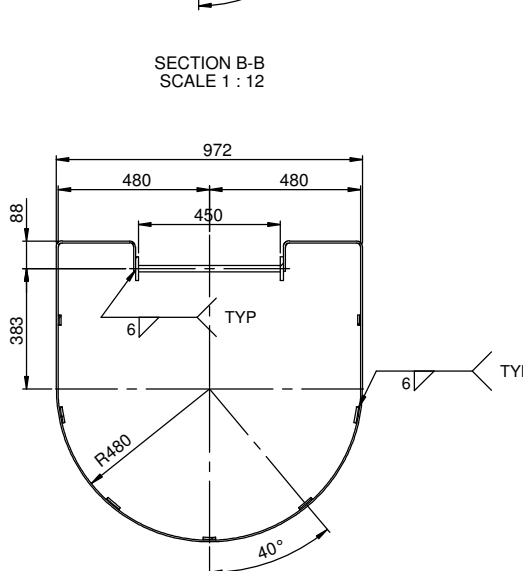
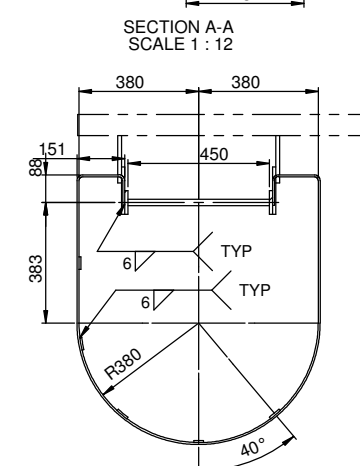
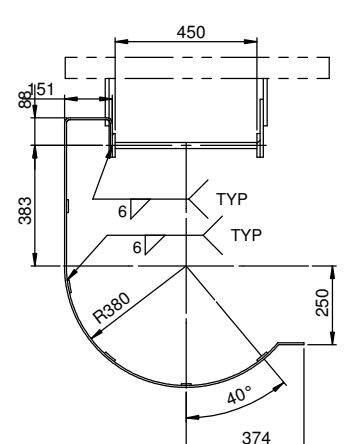
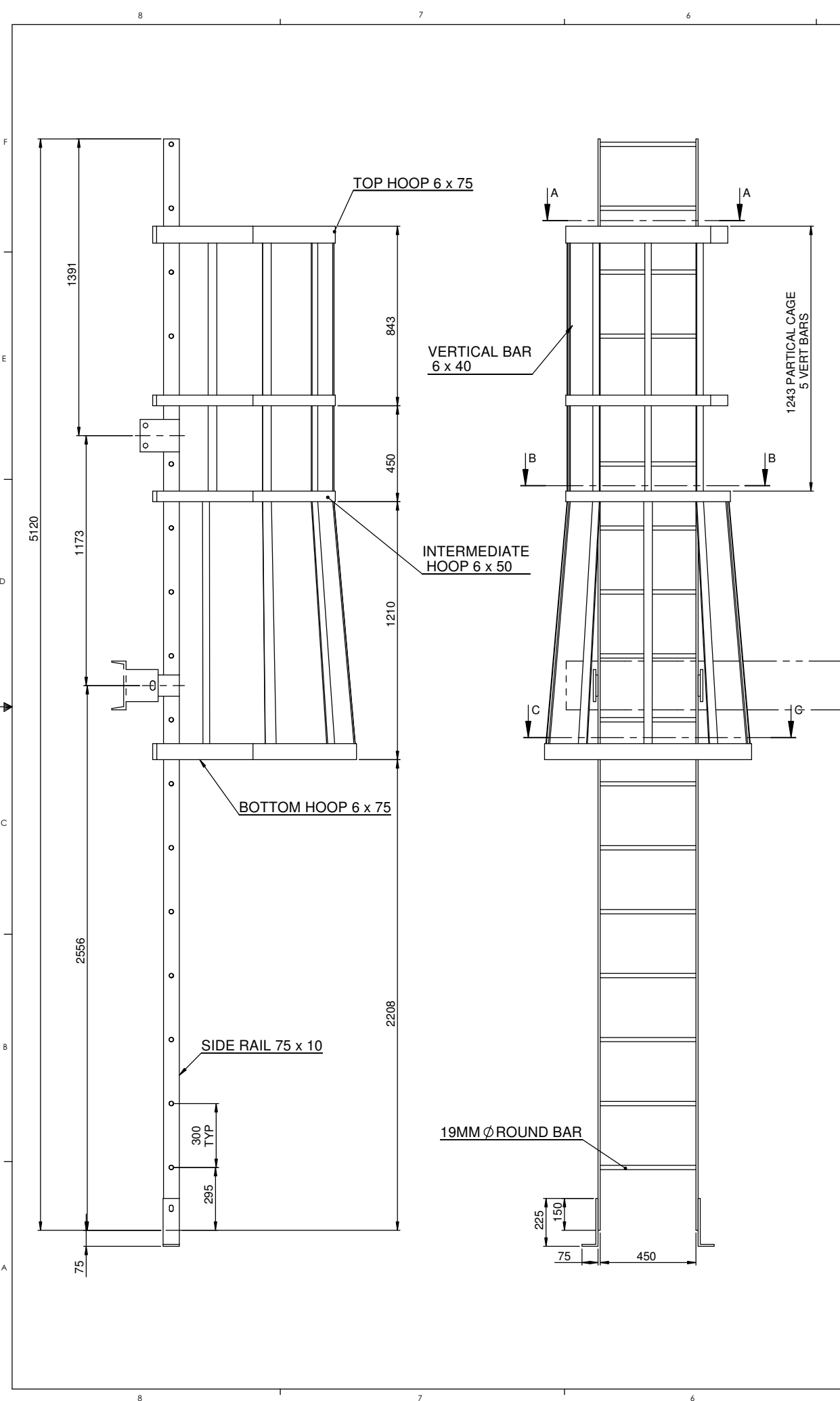
ITEM NO.	PART NUMBER	DESCRIPTION	QTY.
1	GRATING-007-001	BEARING BAR 1 1/4"x 3/16" SPACED AT 1 3/16" CROSS BAR SPACED AT 4"	1
2	GRATING-007-002	BEARING BAR 1 1/4"x 3/16" SPACED AT 1 3/16" CROSS BAR SPACED AT 4"	1
3	GRATING-007-003	BEARING BAR 1 1/4"x 3/16" SPACED AT 1 3/16" CROSS BAR SPACED AT 4"	2
4	GRATING-007-004	BEARING BAR 1 1/4"x 3/16" SPACED AT 1 3/16" CROSS BAR SPACED AT 4"	2
5	GRATING-007-005	BEARING BAR 1 1/4"x 3/16" SPACED AT 1 3/16" CROSS BAR SPACED AT 4"	1
6	GRATING-007-006	BEARING BAR 1 1/4"x 3/16" SPACED AT 1 3/16" CROSS BAR SPACED AT 4"	1
7	GRATING-007-007	BEARING BAR 1 1/4"x 3/16" SPACED AT 1 3/16" CROSS BAR SPACED AT 4"	1
8	GRATING-007-008	BEARING BAR 1 1/4"x 3/16" SPACED AT 1 3/16" CROSS BAR SPACED AT 4"	1
9	GRATING -007-009	GRATING CLIP (TYPE 'C' CLIP)	24

NOTE:-  
1). MATERIAL:- A36

TOTAL APPROX. WEIGHT:- BY VENDOR



**PIPE PENETRATION DETAIL (TYP)**



ITEM NO.	PART NUMBER	DESCRIPTION	QTY.
1	LADDER-01-007-01	FLAT BAR 1/4" Thk. x 2"	1
2	LADDER-01-007-02	FLAT BAR 1/4" Thk. x 3"	1
3	LADDER-01-007-03	FLAT BAR 1/4" Thk. x 3"	1
4	LADDER-01-007-04	ROUND BAR 3/4" DIA. x 18" LG.	17
5	LADDER-01-007-05	VERTICAL BAR 1/4" x 1 1/2"	1
6	LADDER-01-007-06	FLAT BAR 1/4" Thk. x 2"	1
7	LADDER-01-007-08	FLAT BAR 3/8" Thk. x 3"	2
8	LADDER-02-007-09	10mm THK. PLATE	2
9	LADDER-02-007-11	10mm THK. PLATE	2
10	LADDER-02-007-14	BENT PLATE 3/8" x 2 1/2"	2

MATERIAL:- 300W (ANGLE & CHANNEL)  
 :- 350W (PLATE)  
 :- A325 TYPE 1 (BOLT / NUT)  
 TOTAL APPROX. WEIGHT:- 385 Lb

