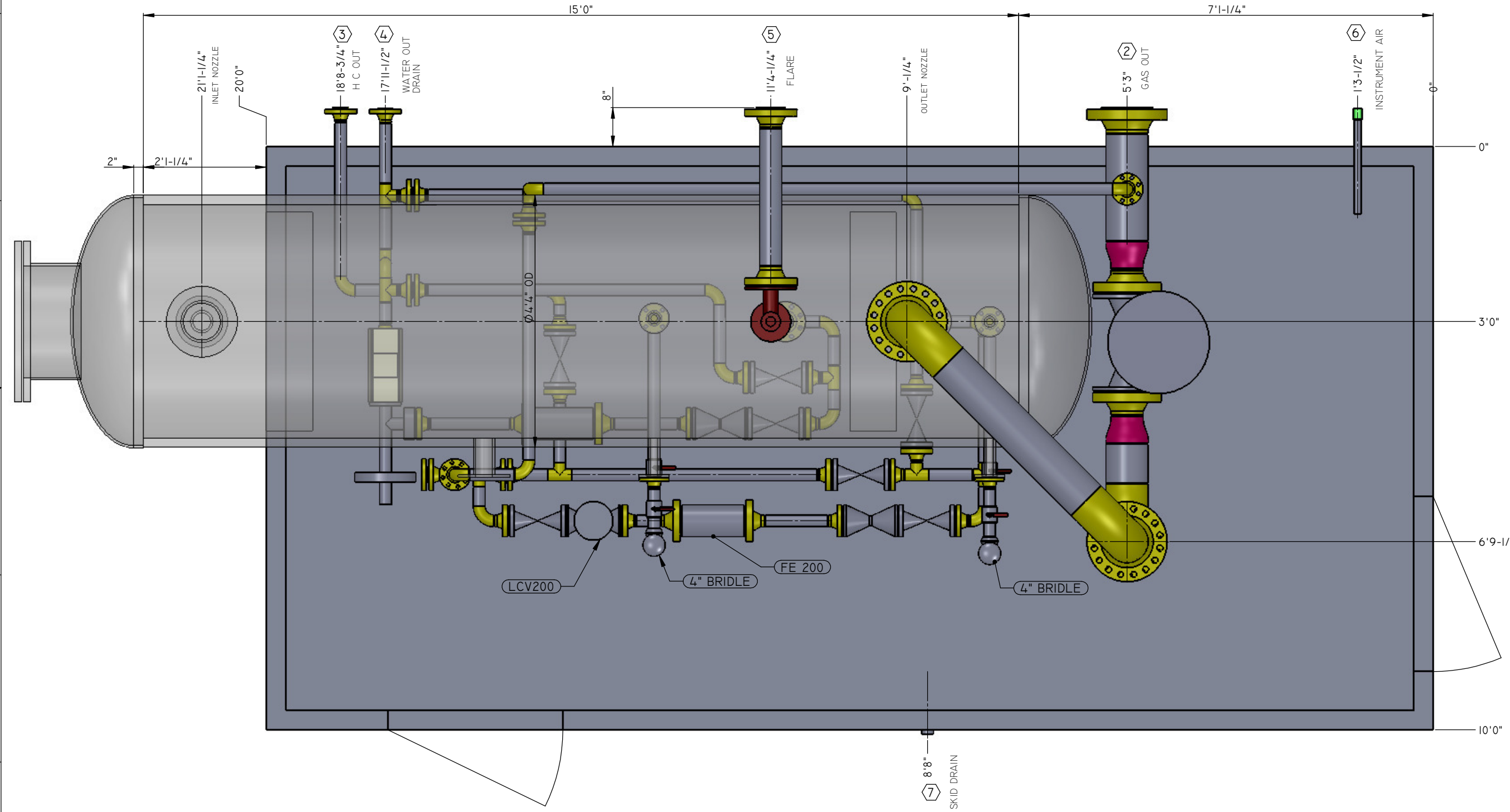
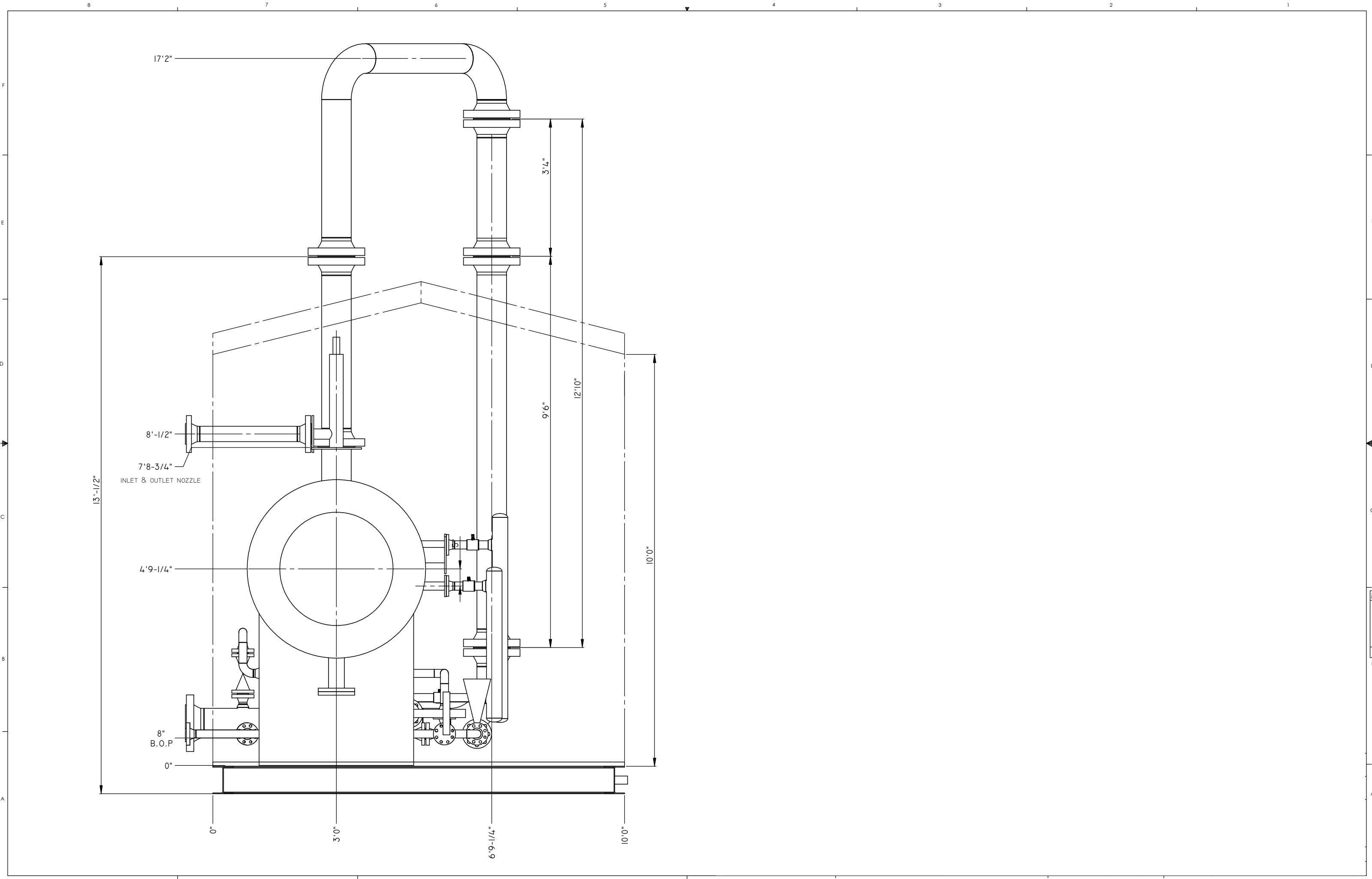
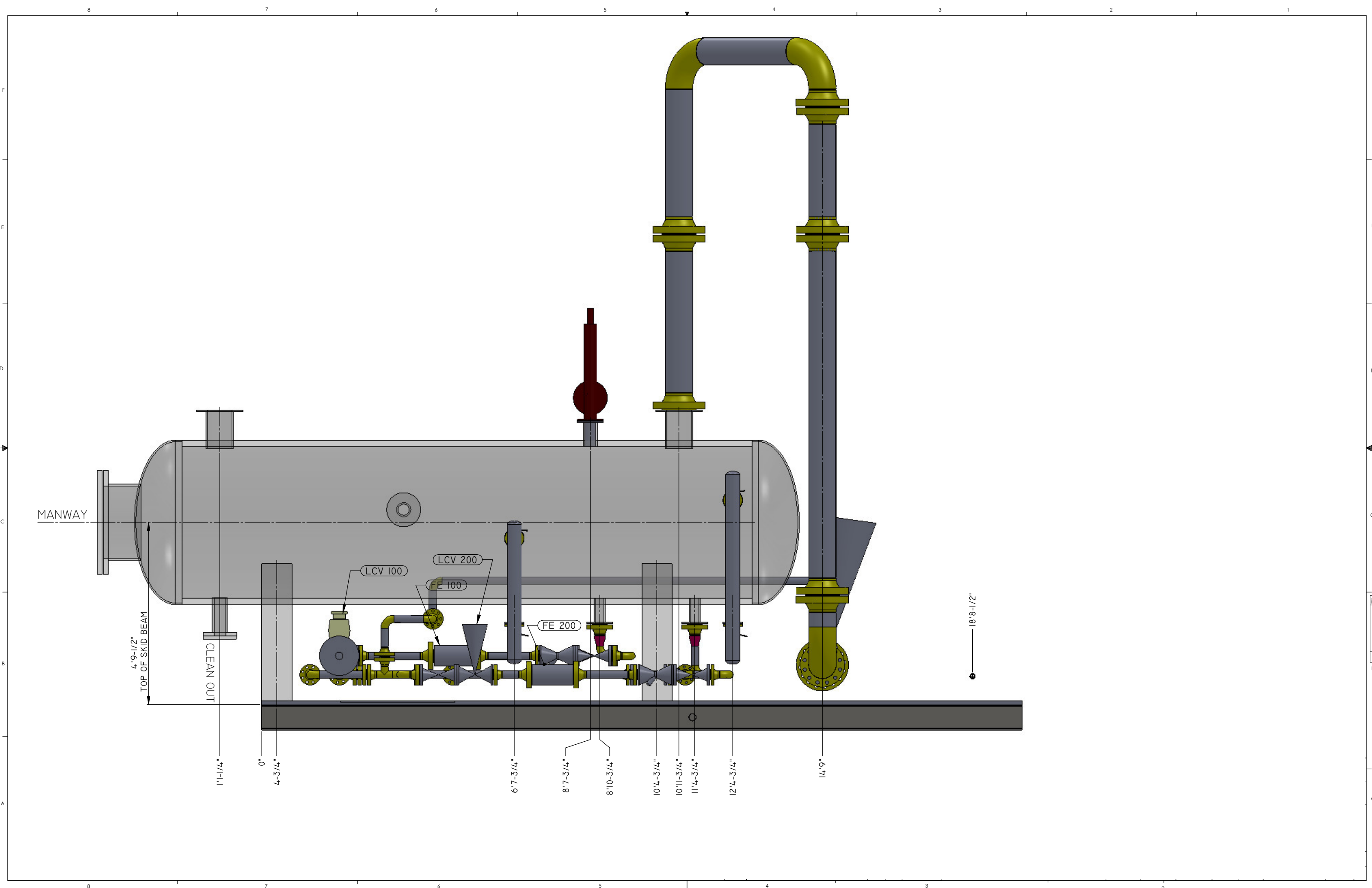


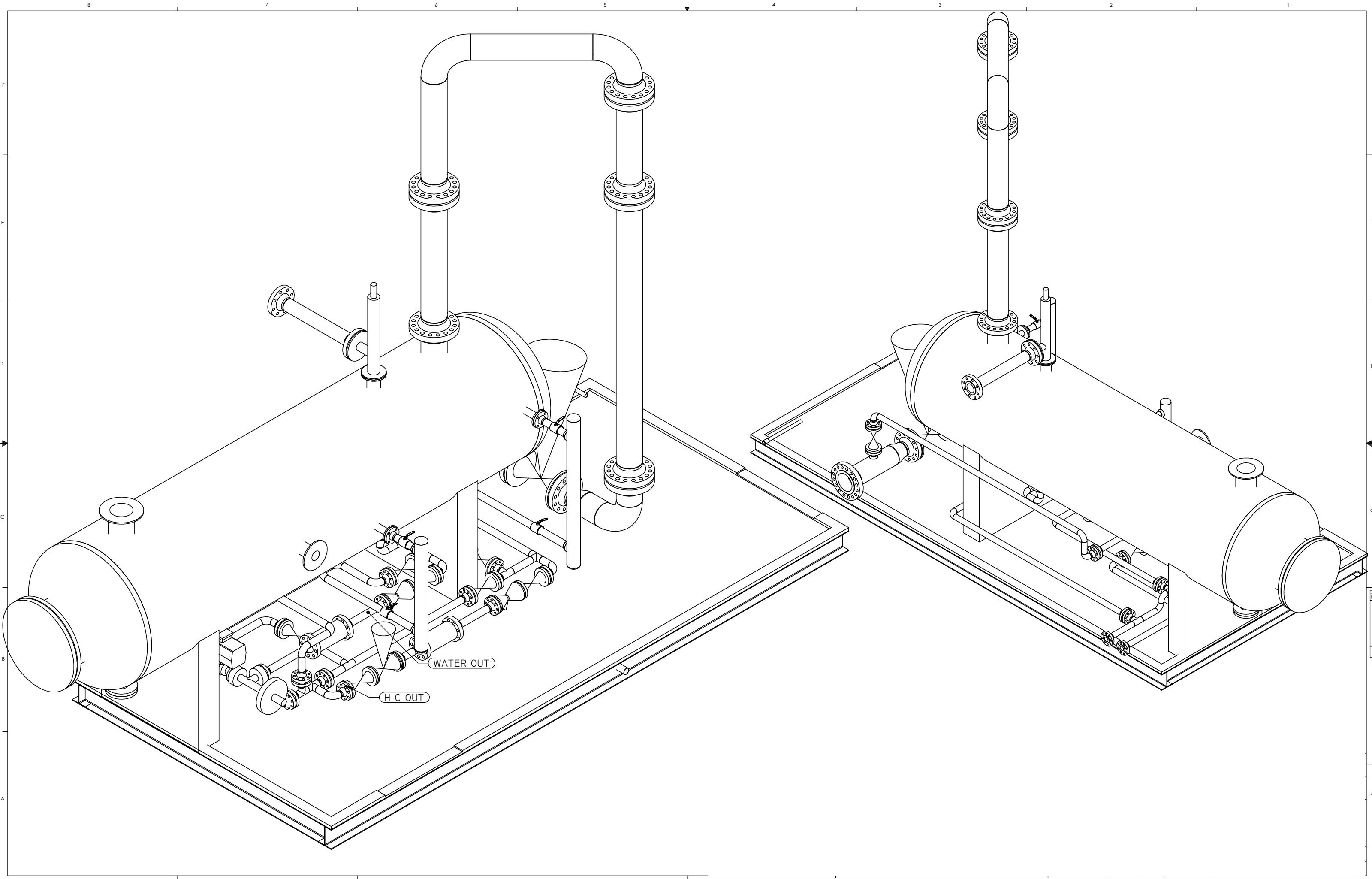
CONNECTION SCHEDULE					
MARK NO.	NO. REQU.	SIZE	SERVICE	OD OF NOZ. NECK	OUTSIDE PROJECTION
1	1	8"-600#	INLET GAS	8.625"	8"
2	1	8"-600#	GAS OUT	8.625"	8"
3	1	2"-600#	H C OUT	2.375"	8"
4	1	2"-600#	WATER OUT	2.375"	8"
5	1	4"-150#	FLARE	4.5"	8"
6	1	1"-3000#	INSTRUMENT AIR		8"
7	1	2"-3000# NPT	FLOOR DRAIN	2.375"	



PLAN







WATER OUT

H C OUT

3  
D  
B